

Digital Battery Voltage Displayer

-----Know your battery cell, protect your safety and your.

—suppomodel.com



Features:

- With LED screen read your battery with digital number.
- Accuracy up to ± 0.01 v.
- Probe 3 cells at one time of your Lipo-battery pack
- Read your lipo pack without limit (1S-unlimit"s" battery pack) with balanced charge connector
- Test voltage range: 0.2V ~ 13V. Read your NiMH battery up to 10s.

With this small device:

- You can Identify the performance of each cell in a lipo pack by reading the Voltage draw after a flight, avoid over-discharging in next flight, which could damage battery pack and cause further consequence, protect your plane.
- Test your balanced charger's voltage.
- Make sure your transmitter battery and receiver battery are in good condition.

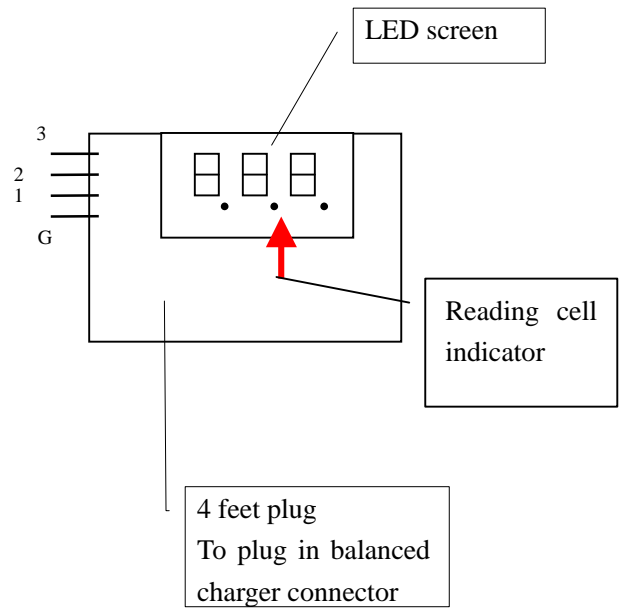
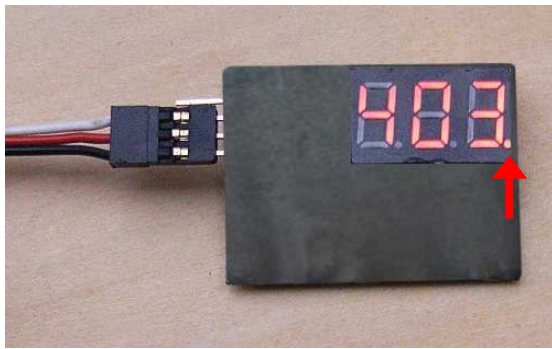
3, April 4, 2007

By Suppomodel.com

Brushless Motor, ESC and more

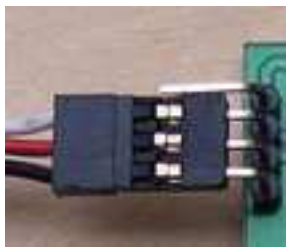
Content

1. Instruction
2. Example of testing 3 cells Lipo battery pack.
3. Example of testing 2 cells Lipo battery pack.
4. Example of testing 5 cells Lipo battery pack.
5. Testing NiMH
5. Notes



1. Instruction

- a) Find out the “G” Ground cable of the balance head.
- b) “G to G ”, Plug the voltage displayer’s plug feet into the balance head.






- c) The LED screen should light up:



- d) If the screen do not light up, make sure G cable of the battery connect to the G foot of the displayer.

2. LED flash continuously in sequence:

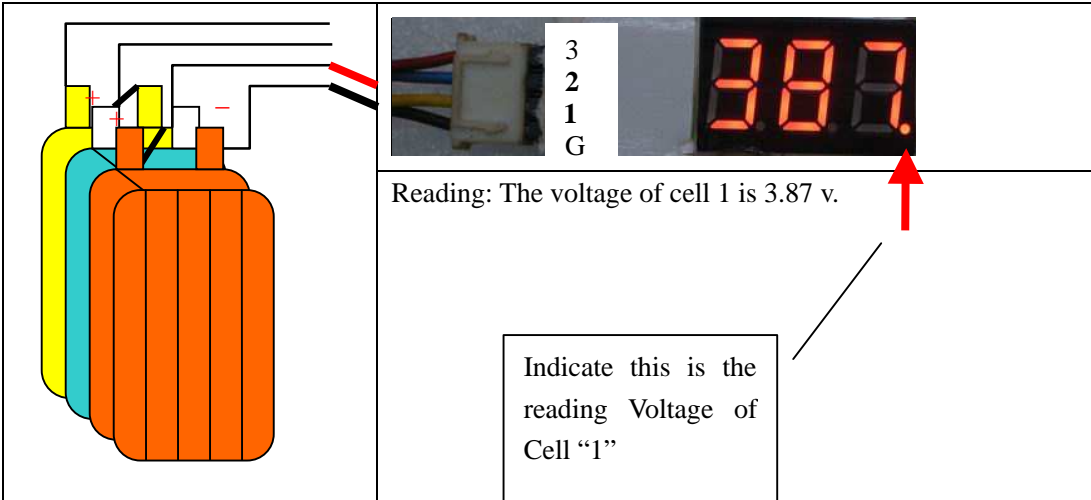
| | |
|---|------------------------|
|  | (4.24v of “1st” cell) |
|  | (3.98 v of “2nd” cell) |
|  | (4.14 v of “3rd” cell) |

* When the is less than 3cell connected, i.e. test a 2S pack:



2. Example of testing a 3s Lipo Battery Pack:

2.1 Reading the first cell

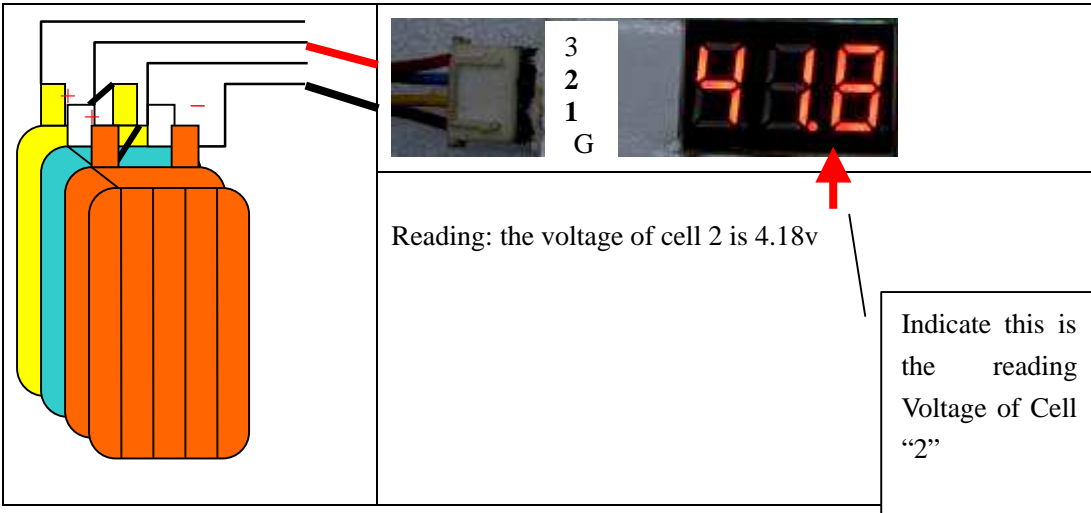


3
2
1
G

Reading: The voltage of cell 1 is 3.87 v.

Indicate this is the reading Voltage of Cell "1"

2.2 Reading the second cell

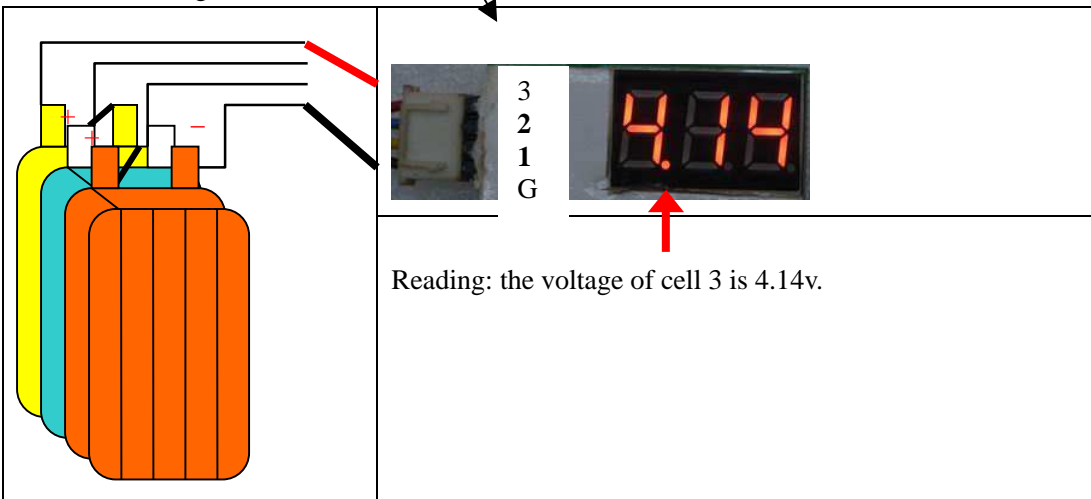


3
2
1
G

Reading: the voltage of cell 2 is 4.18v

Indicate this is the reading Voltage of Cell "2"


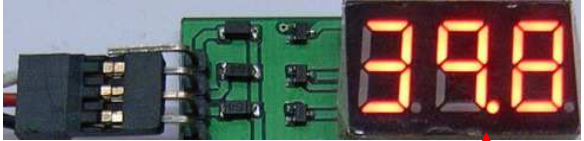
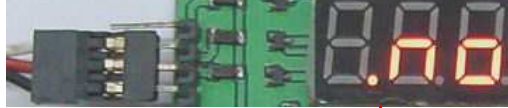
2.3 Reading the third cell

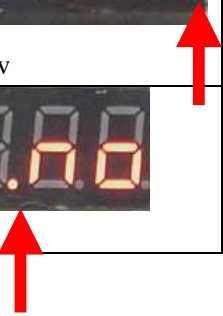


3
2
1
G

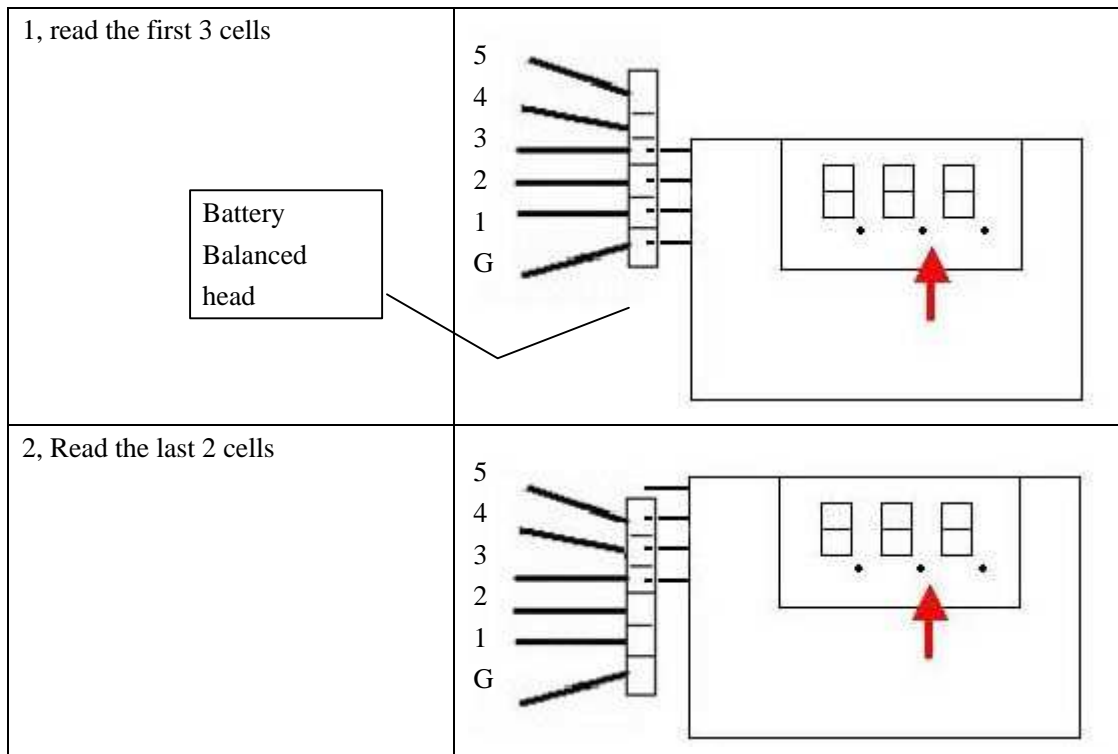
Reading: the voltage of cell 3 is 4.14v.

3. Testing a 2 cells Pack

| | |
|--|---|
|  <p>The voltage of First cell is 4.03v</p> |  <p>The voltage of Second cell is 3.98v</p> |
|  <p>There is NO 3rd cell connected</p> | |



4. Example connection of reading a 5 cells Battery Pack:



5. Test NiMh battery pack

Just Plug into Foot G and Foot 1 of your Battery Voltage Displayer.

6. Notes:

- Allow the displayer test the battery pack for at least 6seconds (the LED flash twice) to get the correct voltage.
- If the voltage shows more than 5V of your Lipo cell, there could be one cell no connected correctly with the Plug foot. Please check your battery cable or the connection of the balance head with Plug feet.
- When test NiMH battery, please do not try over 10 cells.
- Remember to disconnect your battery with the Battery Voltage Displayer after use.